

# KAPTAIN ARCHITECTURAL KEY FRAMES



KEY FRAMES ARCHITECTURAL SERIES



uPVC is not only 100% recyclable but also uniquely engineered at a molecular level to endure weathering conditions that exterior windows frequently encounter, especially in the era of climate change. This material adeptly addresses thermal insulation and corrosion challenges compared to common wooden or metal windows.

Recent technological innovations have further heightened uPVC's innate advantages, widening the performance gap even more.

**Top-Tier Thermal Insulation:** Our uPVC frames rank among the best for energy efficiency compared to standard windows.

**Proven Durability:** With self-evident results in projects that were installed over 30 years ago, our product longevity is unmatched.

**Color Longevity:** Ask for Kaptain's special compound formula that ensures color stability for up to 10 years, even in sun-intensive regions like the Middle East or near the equator.

**Unbeatable Corner Strength:** Our welded corners eliminate the need for adhesives, resulting in completely sealed joints that negate corner corrosion.

**Design Flexibility:** We offer a wide palette of over 50 colors, as well as wood grain, metallic, and hammered textures to accommodate a diverse range of architectural styles.

Founded in 1987, Kaptain is a pioneering European windows manufacturer. We specialize in uPVC doors and windows using German engineering to both our products and machinery. Our state-of-the-art production facility is strategically located in Greece near Piraeus port, one of the largest ports in Europe serving as a major hub for trade and the busiest in the Mediterranean.

Within an expansive 55,000 m<sup>2</sup> campus, our facilities includes a dedicated 6,000 m<sup>2</sup> production area in the Avlida region our constructed in accordance with the latest EU standards.

In 2001, we invested in an automated production line to bolster our capabilities. We took another transformative step in April 2017 by integrating cutting-edge automated machinery, ensuring increased efficiency and product quality while paving the way for the next generation of doors and windows.

Kaptain is certified to ISO 9001 and ISO 14001 standards, underscoring our commitment to quality and environmental sustainability. Our products adhere to stringent EU standards and are certified by leading German institutes, bearing CE and international standard accreditations.

Today, Kaptain's products can be found in a wide range of markets including most EU countries, the Middle East, India, numerous African countries, Thailand, Australia, and the United States. Our fast delivery, flexible manufacturing and extensive product range have helped us establish a global network of partners.

With meticulous attention to detail, we individually package our products and ship them in container batches to destinations worldwide.

Kaptain's ultimate goal is to be the Key choice for Architects seeking products that complete their vision.

OPTING FOR KAPTAIN'S UPVC ARCHITECTURAL KEY FRAMES

OUR STORY

CERTIFICATIONS

THE CORE TEAM

Meet the Kapetanios administration, the driving force behind Kaptain's success in the world of doors and windows. Consisting of three key family members, Evangelos Kapetanios, along with Hercules Kapetanios and Valia Kapetaniou, this dynamic team is the embodiment of unified leadership. Together, they oversee the vital areas of finance, sales, and production, ensuring that Kaptain's standards of excellence are met in every aspect. Their shared vision and dedication are central to the brand's prominence and growth, making the Kapetanios administration synonymous with quality and innovation.





DOUBLE ACTION  
TILT & TURN SERIES



THE KEY FRAMES OF LIFE

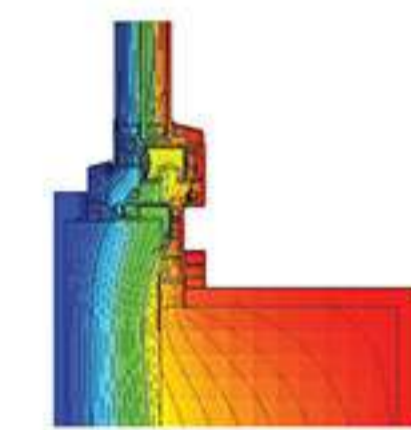
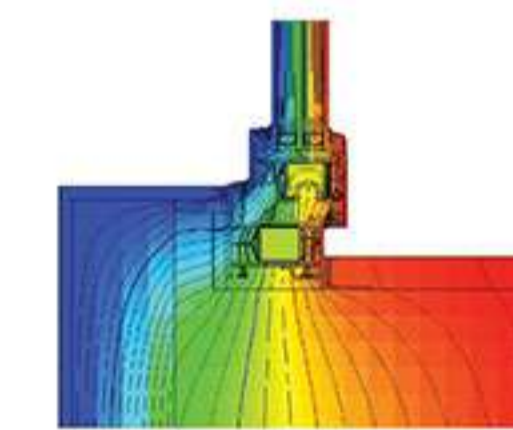
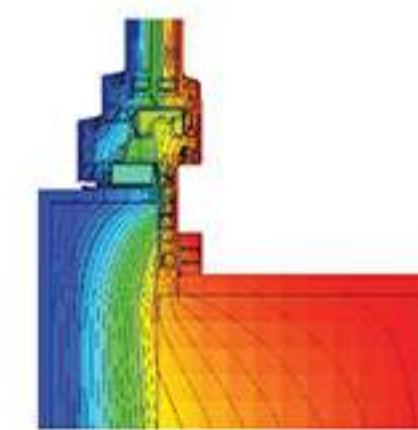
TECHNICAL INFO

ADVANCED KR76

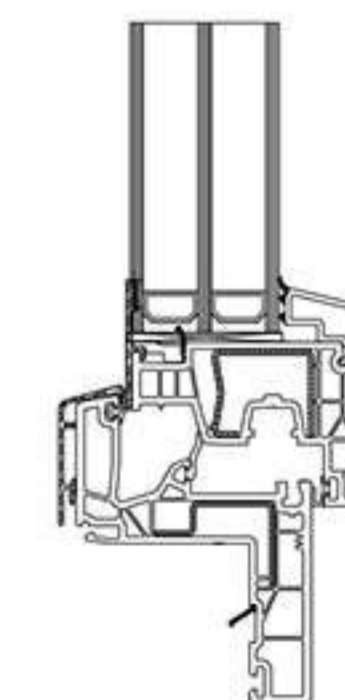
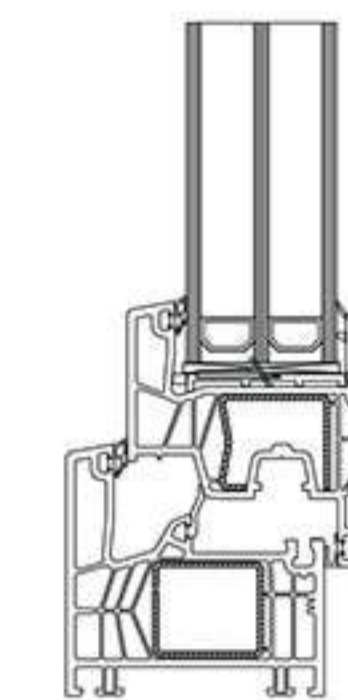
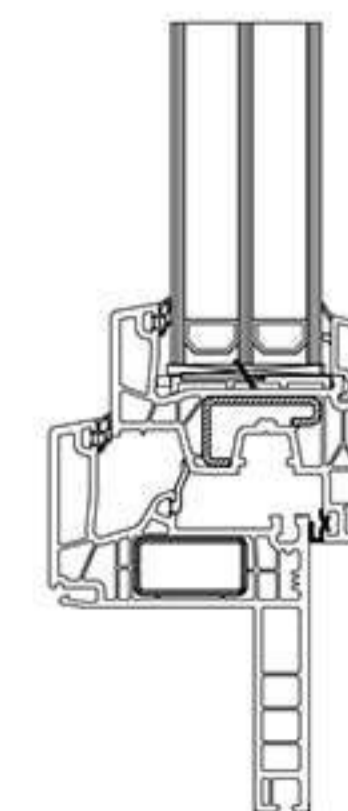
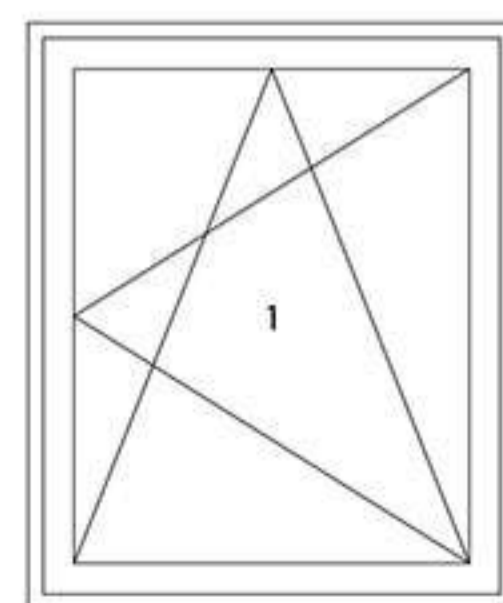
PREMIUM KN76

SUPER SLIM KS76

Select from the finest range of double action tilt and turn windows and patio doors we offer. Whether you prefer contemporary designs with sleek, angular lines or classic aesthetics like country or cottage doors and windows, we have something to suit your taste. With Kaptain's doors and windows, top-tier energy efficiency, unmatched security, and unparalleled weather resistance come standard.



temperature profiles  
-5 °C — 20 °C  
23 °F — 68 °F



ADVANCED KR76

product references

element variations

vertical sections  
scale 1/5



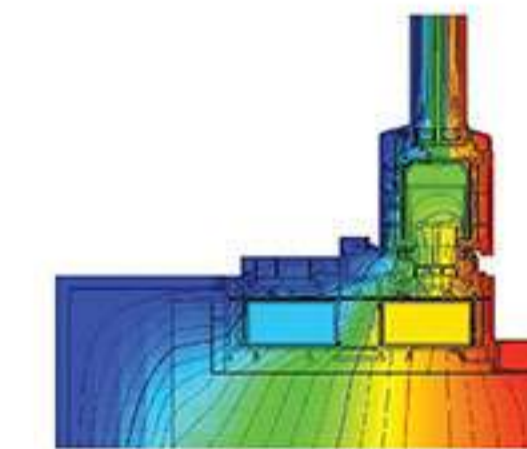
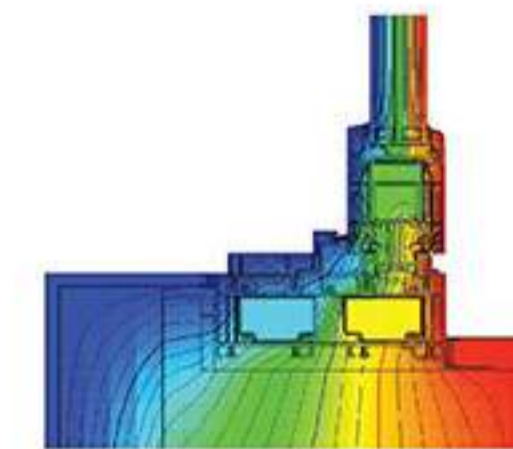
THE KEY FRAMES OF NATURE

TECHNICAL INFO

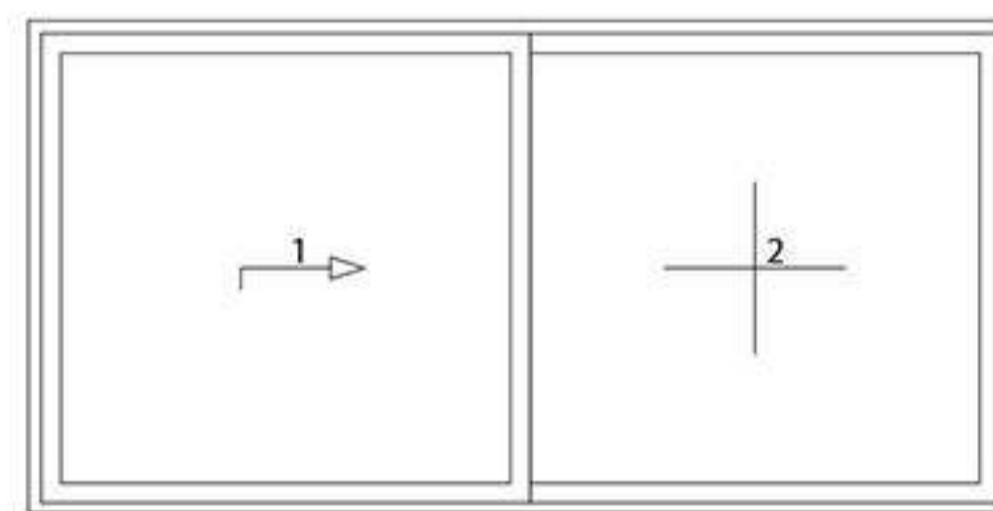
PREMIUM HST K76

PREMIUM HST K88

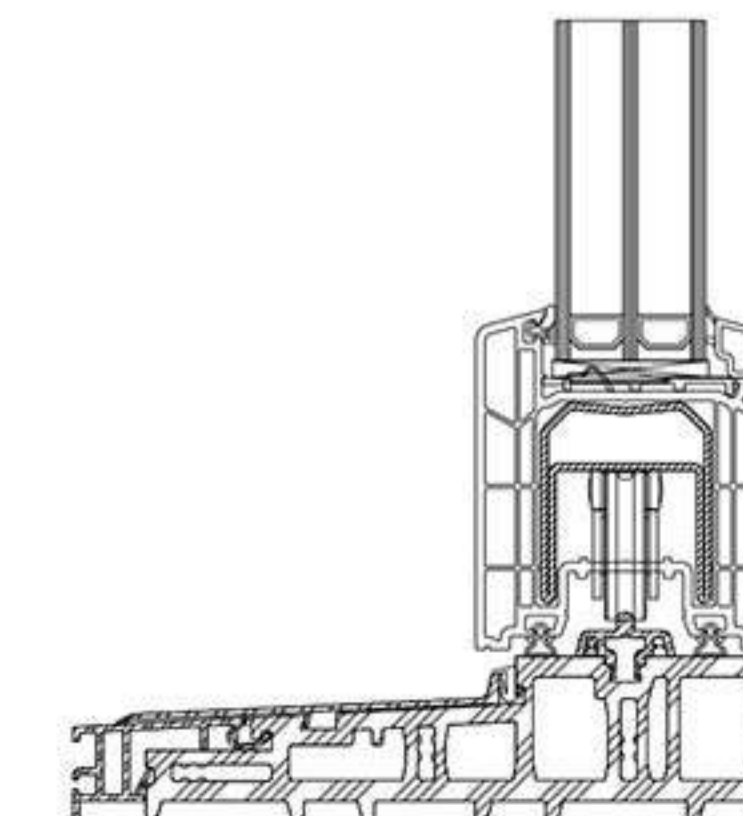
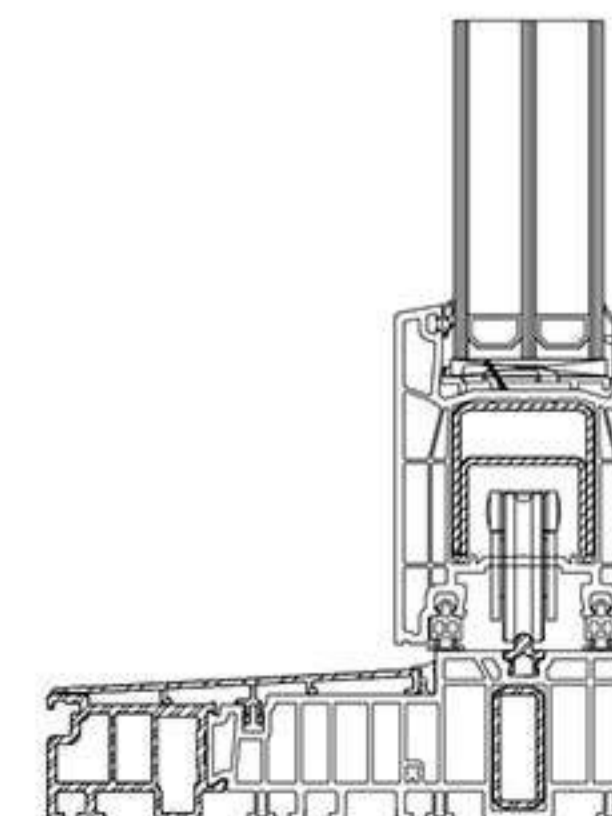
Our state-of-the-art lift & slide PREMIUM HST K76 & HST K88 heavy-duty doors are perfectly crafted for upscale homes and commercial structures. They excel in accommodating unique sizes, consistently delivering an air of luxury and sophistication that's sure to captivate. Benefit from unparalleled insulation, formidable wind resistance, and enduring durability as standard features of these premium gliding doors.



temperature profiles  
-5 °C — 20 °C  
23 °F — 68 °F



element variations



vertical sections  
scale 1/5

-  PREMIUM KN76
- PREMIUM HST K76
- LOUVERS K72 CYPRUS

product references



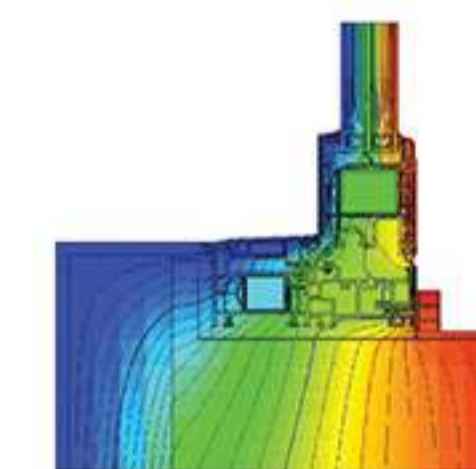
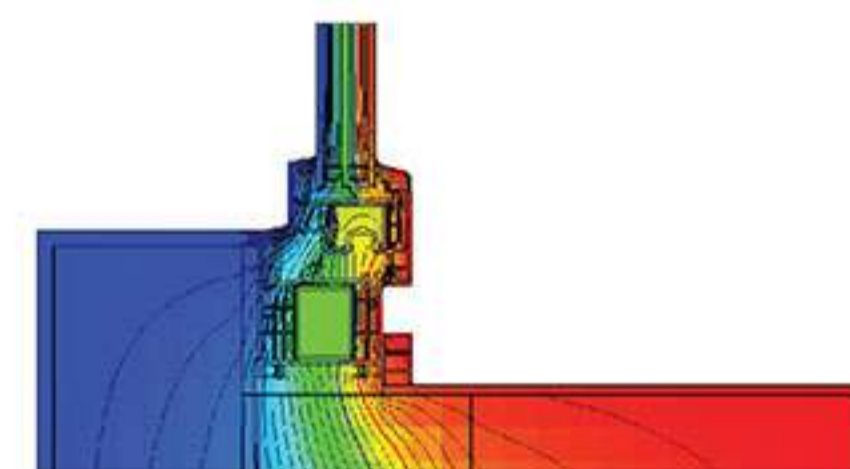
THE KEY FRAMES OF SPACE

TECHNICAL INFO

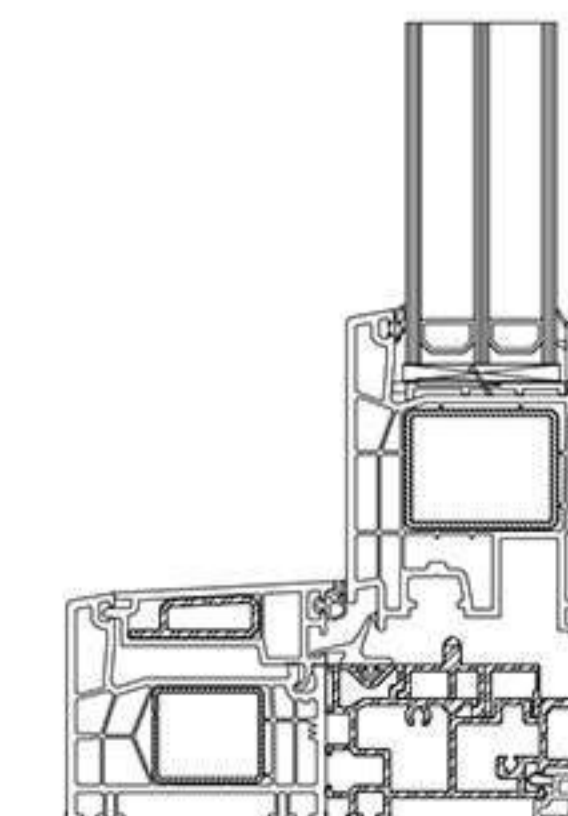
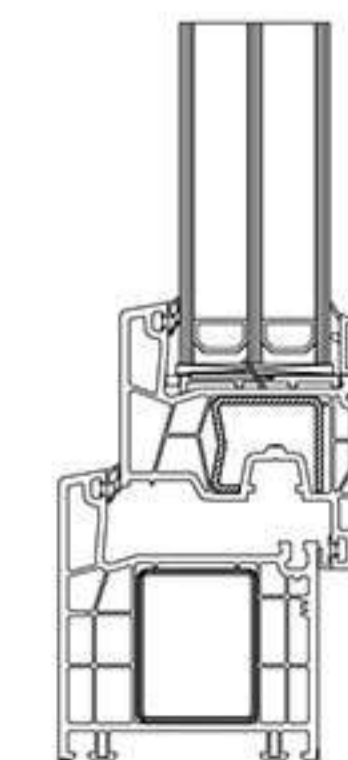
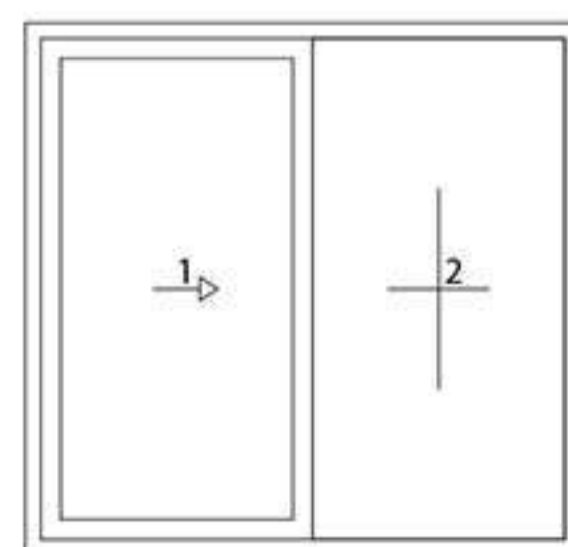
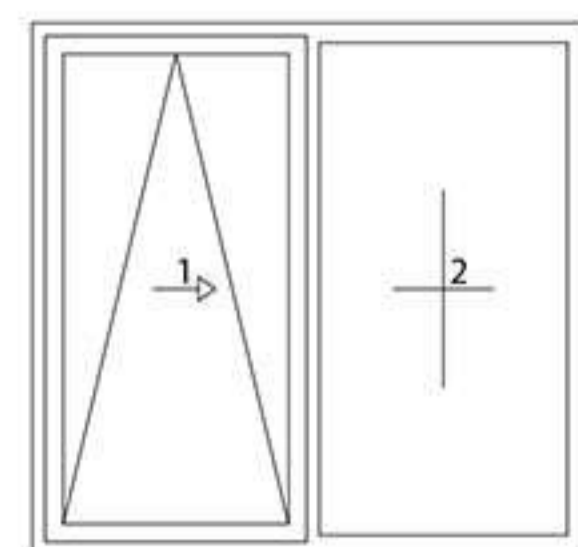
PSK PREMIUM KN76

SLIM AND SLIDE K76

Kaptain SLIM AND SLIDE K76 and PSK PREMIUM KN76 intermediate sliding series are expertly crafted to surpass the standards of typical systems in both performance and durability. Engineered for standard and large size requirements, these doors are equipped with multiple gasket barriers, ensuring superior sealing. They offer multifunctional features, such as the sliding and tilting action of the PSK PREMIUM KN76 and the extracting sash for SLIM AND SLIDE K76. Experience the exceptional performance, enduring hardware and robust security with these premium doors.



temperature profiles  
-5 °C — 20 °C  
23 °F — 68 °F



PREMIUM KN76  
SLIM AND SLIDE K76

product references

element variations

vertical sections  
scale 1/5





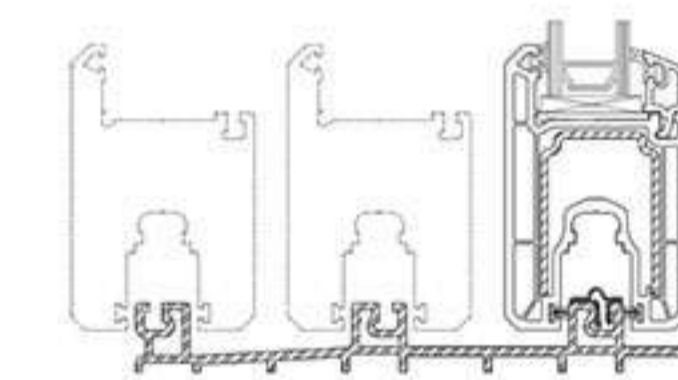
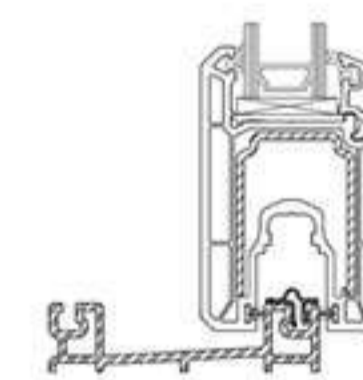
THE KEY FRAMES OF UNITY

TECHNICAL INFO

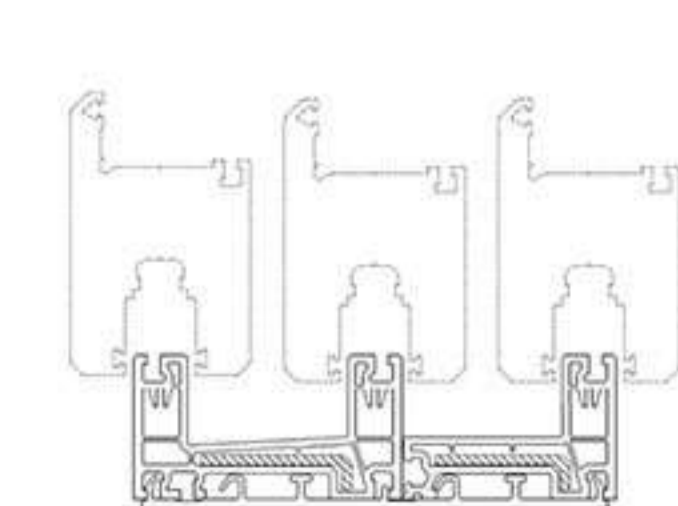
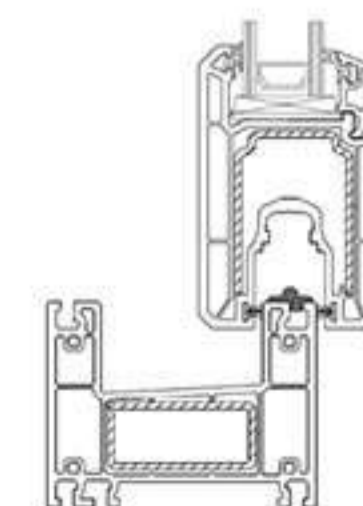
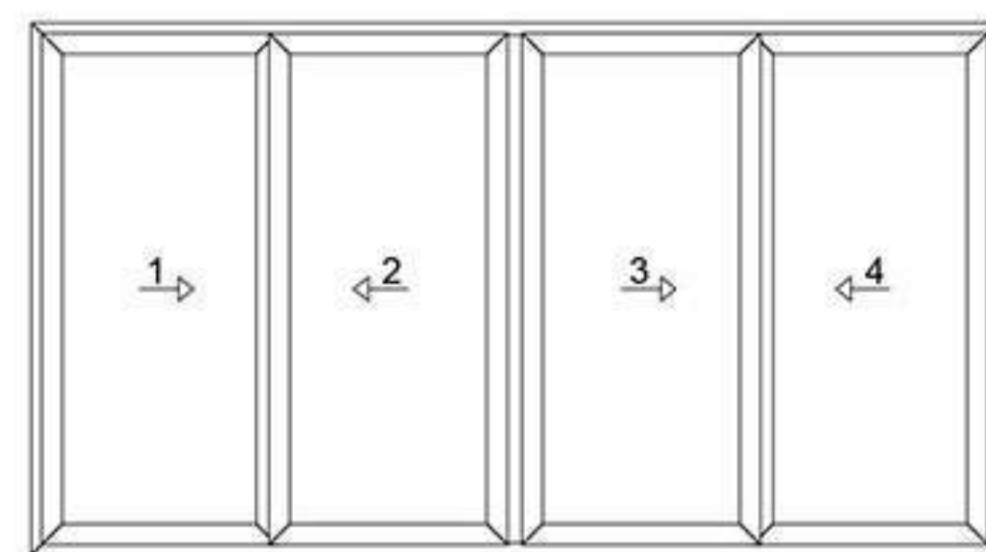
STANDARD SLIDER K54

SLIDER K54\_3 SLIDING PANELS

The STANDARD SLIDER K54 series, crafted by Kaptain, epitomizes high manufacturing standards tailored for windows and more compact sliding doors, delivering simplicity paired with efficiency. With a variety that spans a broad spectrum of common needs, from the timeless triple slider to the capacity of holding up to six sashes in one frame, flexibility is at its core. Plus, for those seeking space-saving solutions, they can be crafted as cavity sliders, allowing the element to seamlessly slide into a wall cavity, optimizing room space especially in smaller areas.



low sill section cut



vertical sections scale 1/5

STANDARD SLIDER K54  
ADVANCED KR76

product references

element variations

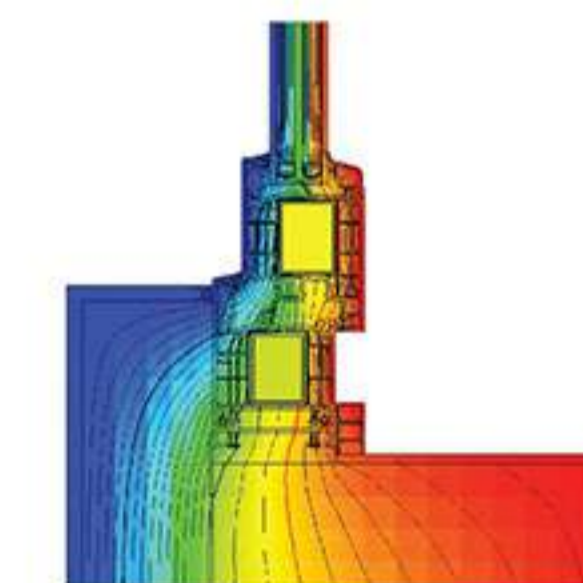
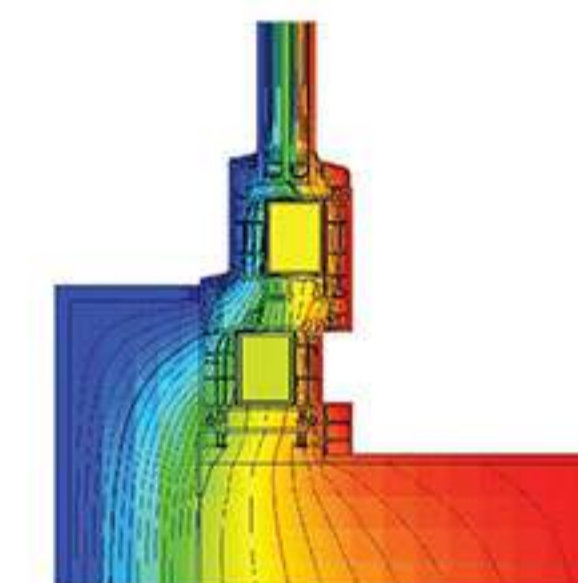


THE KEY FRAMES OF VIEW

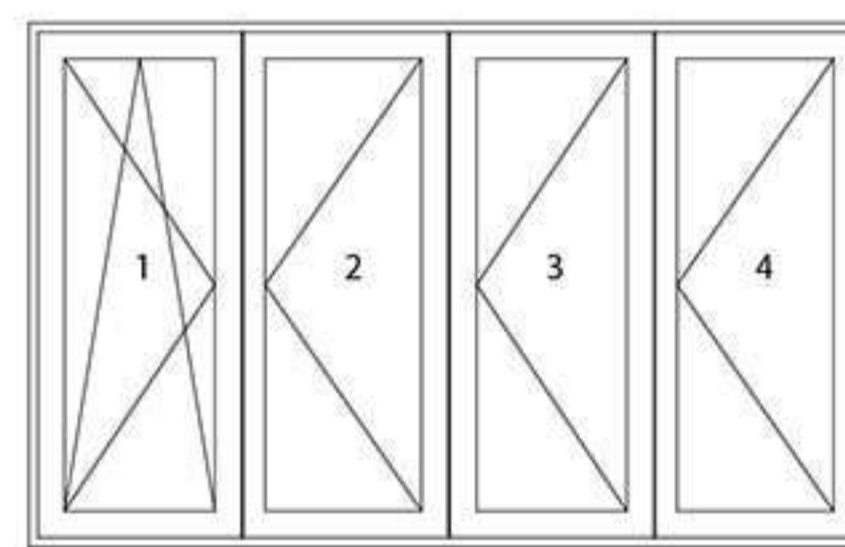
TECHNICAL INFO

PREMIUM KN76

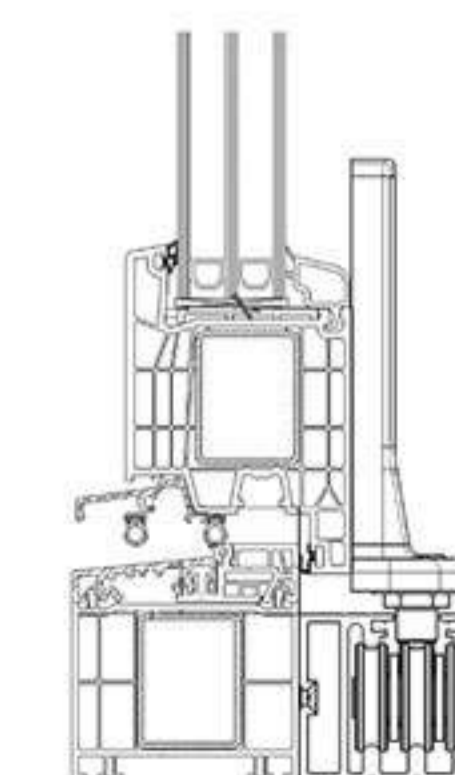
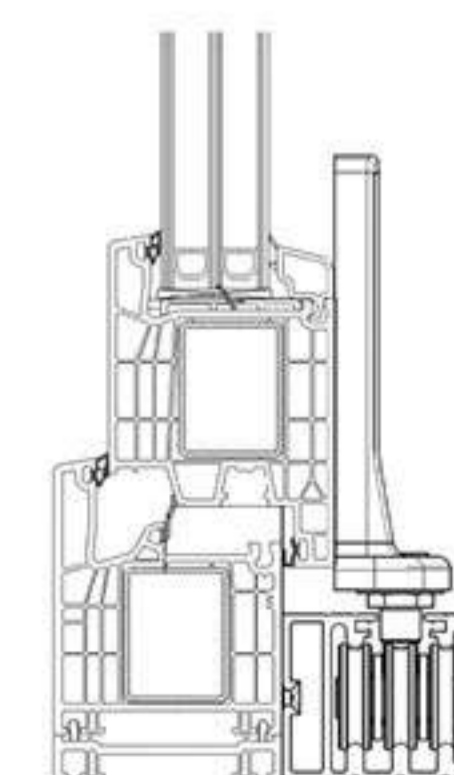
Kaptain's PREMIUM KN76 folding and stacking doors are masterfully designed for enduring functionality. Utilizing a complex sliding mechanism, they open up expansive spaces while ensuring top-tier insulation and security. Ideal for merging your living room with your yard, these doors come equipped with three sealing gaskets, comprehensive steel locking mechanisms, and tiltable hardware for controlled ventilation. A specially designed low-height sliding rail further enhances accessibility, making them the perfect solution for seamlessly uniting indoor and outdoor spaces.



temperature profiles  
-5 °C — 20 °C  
23 °F — 68 °F



element variations



vertical sections  
scale 1/5

PREMIUM KN76  
ADVANCED KR76

product references





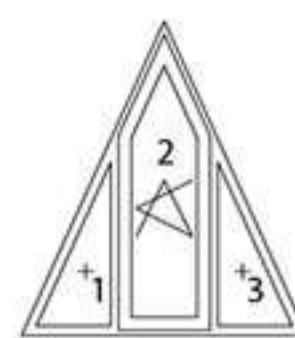
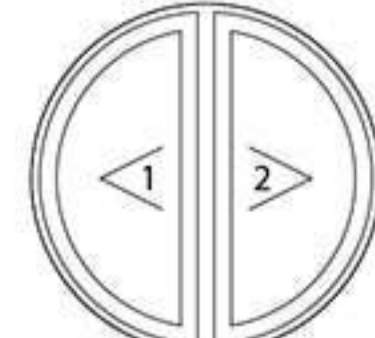
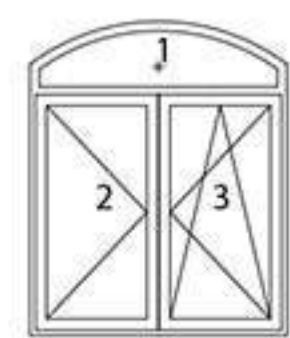
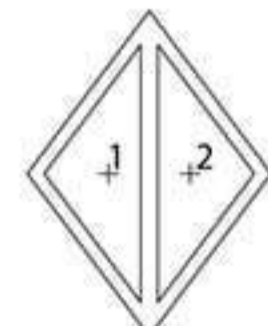
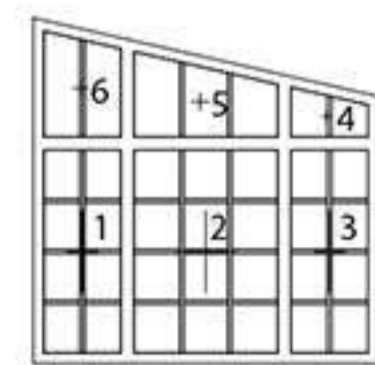
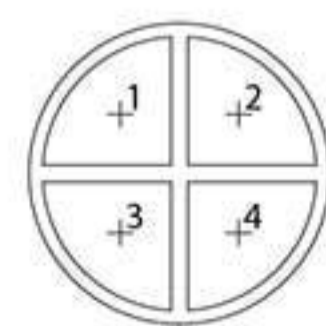
THE KEY FRAMES OF STRUCTURE

TECHNICAL INFO

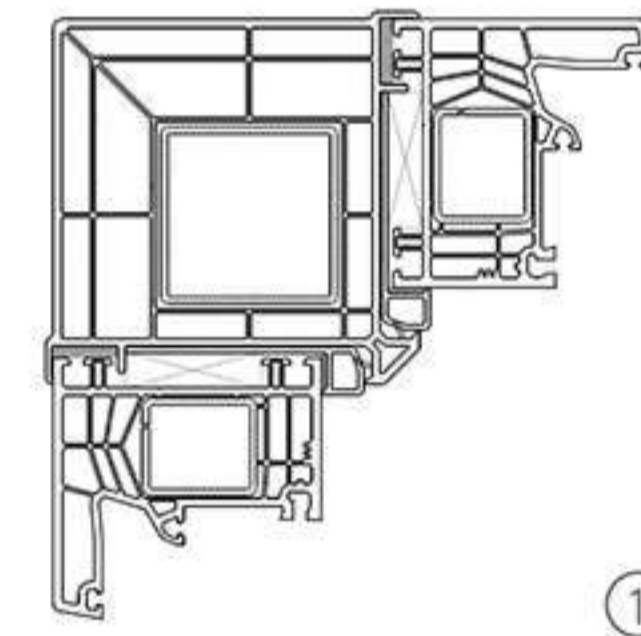
Introducing custom architectural solutions from Kaptain, designed for unique needs and aesthetic visions. Our PREMIUM KN76 and ADVANCED KR76 series can be expertly tailored to accommodate special shapes—be it slanted, arched, circular, or even complex polygons—for both doors and windows. Complement your design with similarly shaped louvers from our LOUVERS K72 series, perfect for external shutters and shading. Leveraging cutting-edge design software and high-precision CNC automation, we ensure each bespoke element meets stringent quality standards for a seamless blend of form and function.

ADVANCED KR76  
PREMIUM HST K76

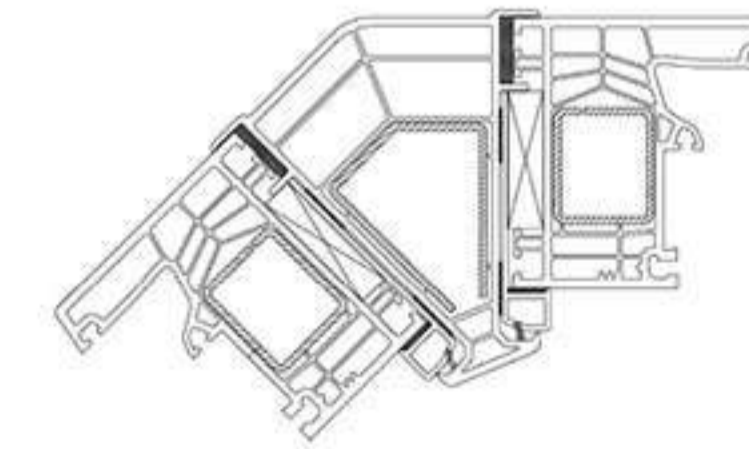
product references



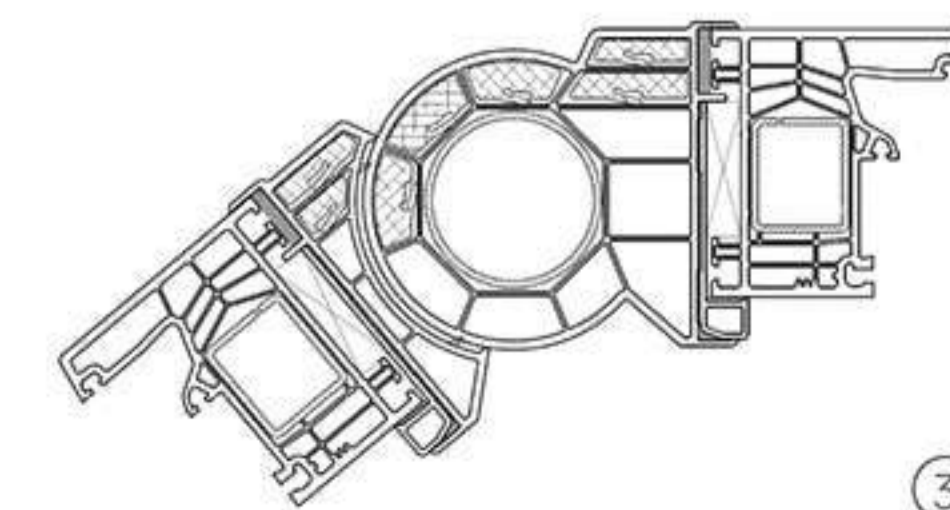
element variations



①



②



③

- 1 corner post connection
- 2 bay post connection
- 3 round post connection

horizontal sections  
scale 1/5





THE KEY FRAMES OF ENDURANCE

TECHNICAL INFO

ELITE K88

EXECUTIVE K76

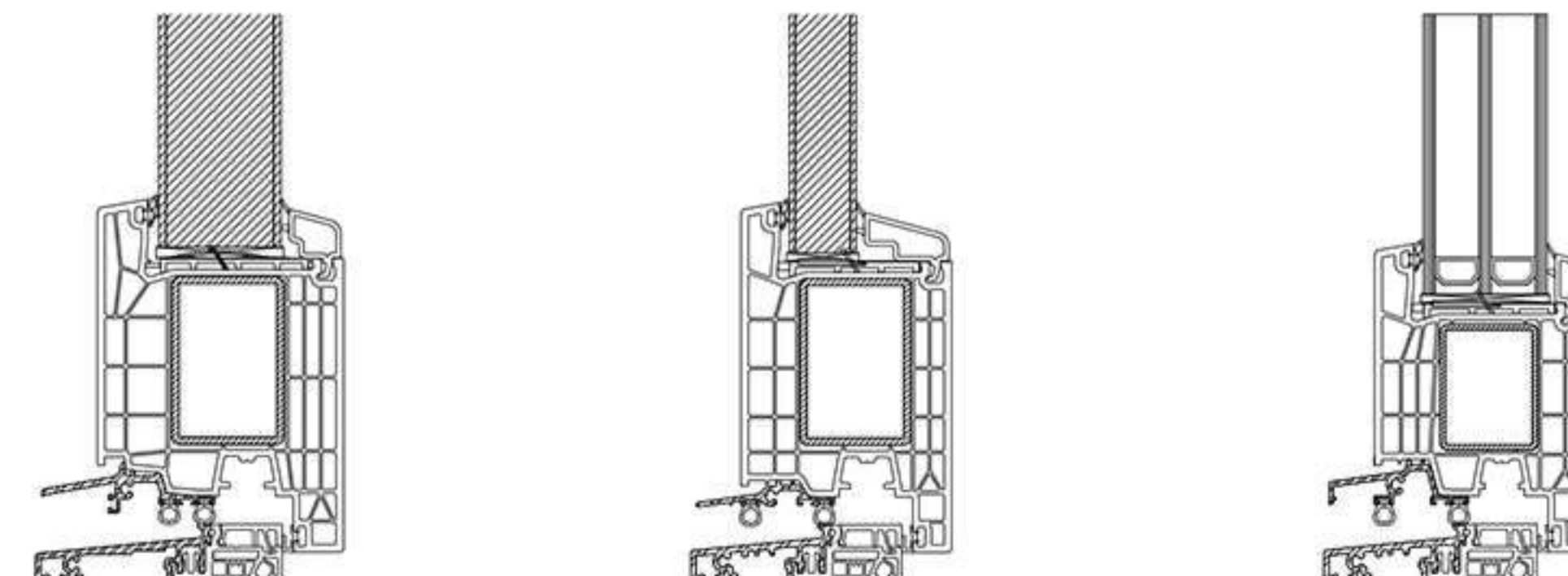
GOSSIP K76\_HOTEL K76

Explore Kaptain's suite of fortified doors: EXECUTIVE K76 for residential homes, ELITE K88 for high-end luxury residences, GOSSIP K76 for side entrances or split-sash openings, and HOTEL K76 tailored to the hospitality industry's specifications. Crafted to European standards, these doors offer a harmonious blend of stability, weather resistance, and integrated security features. Each series adds a unique aesthetic touch, making them the premier choice for stylish, secure developments. Choose Kaptain for doors designed with both active and passive security enhancements.

PREMIUM KN76  
INTERNAL HINGED SHUTTER - OIA  
EXECUTIVE K76



element variations



option with low sill for easier access

product references

vertical sections scale 1/5



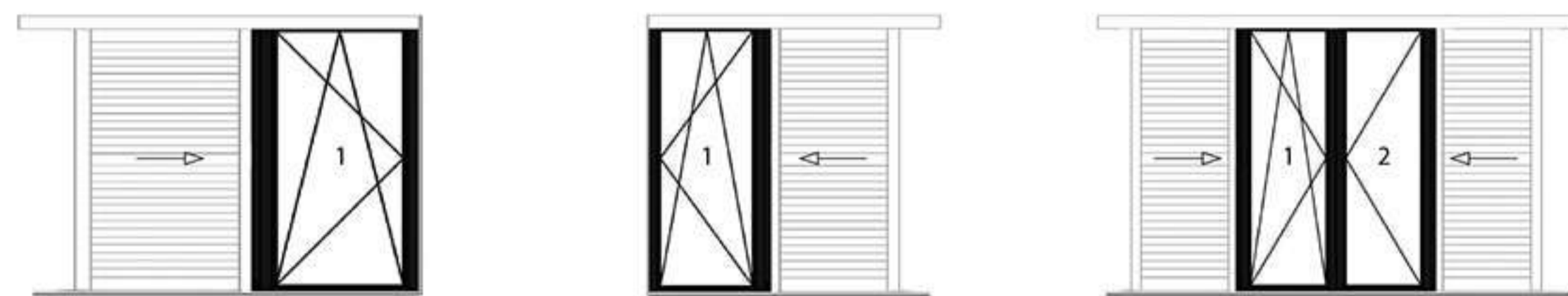


THE KEY FRAMES OF MODERNISM

TECHNICAL INFO

EXTERIOR SLIDING LOUVERS SLK48

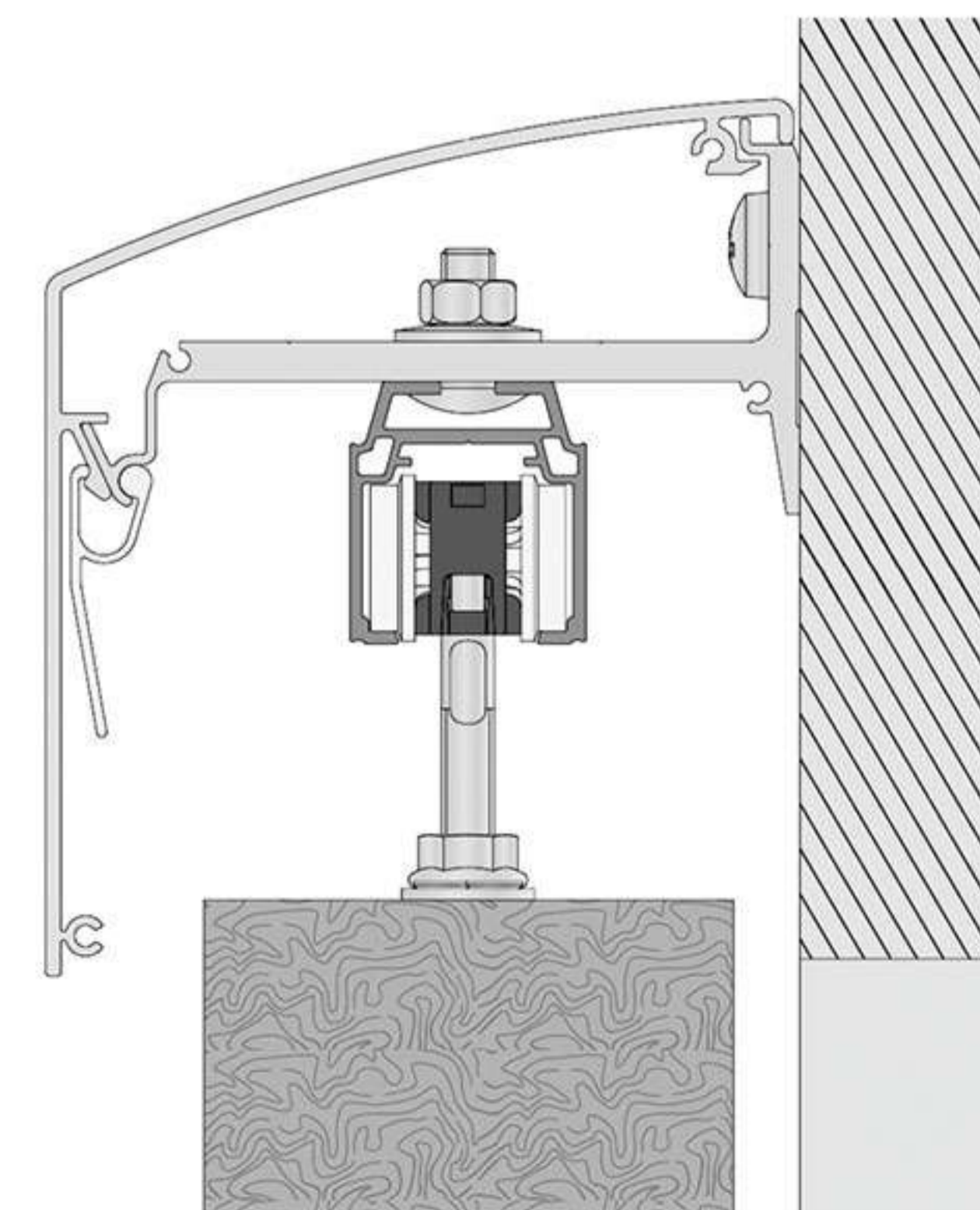
Introducing SLK48, Kaptain's cutting-edge exterior sliding louver system. It elevates facades with unmatched light, ventilation, and privacy control. Made from high-quality UPVC, reinforced with metal and stainless steel, it ensures lasting durability. Dive into an extensive selection of textured finishes, including laminated foils. Opt for manual operation with secure locks or the advanced motorized variant with obstacle detection and remote control. Elevate your facade with Kaptain's superior SLK48 system.



PREMIUM KN76  
EXTERIOR SLIDING LOUVERS SLK48

product references

element variations



vertical section  
scale 1/2





TIMELESS HINGED SHUTTERS



THE KEY FRAMES OF SHADOW

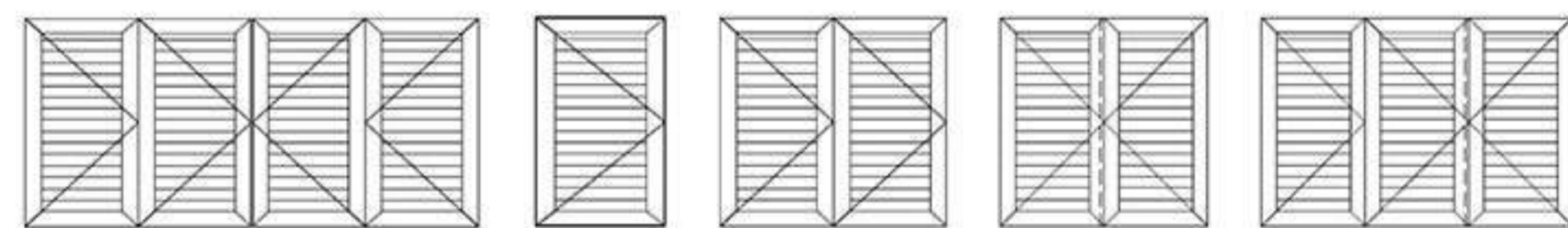
TECHNICAL INFO

LOUVERS K72

FIXED SLATS

ROTATING SLATS

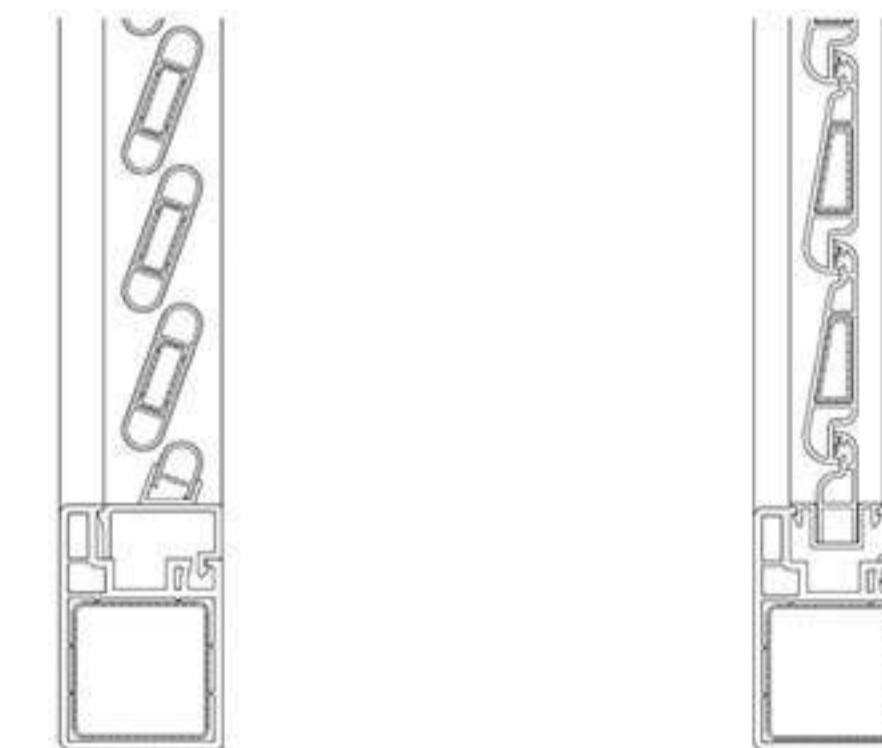
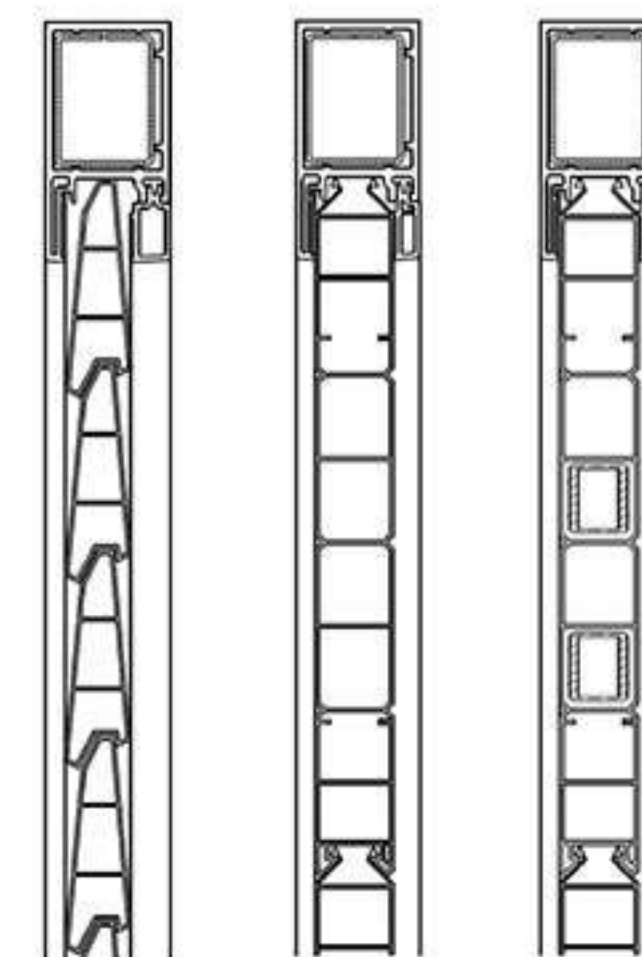
Kaptain's LOUVERS K72 are fortified external shutters ideal for harsh conditions. On the interior edge, our Santorini shutters redefine architectural elegance, offering privacy with a dash of style. Both series come with metal reinforcements to boost structural integrity reflecting Kaptain's meticulous attention to detail and are crafted from high-tech, enduring materials ensuring that your choice in shading solutions enhances not just functionality but also the architectural elegance of your space. Choose Kaptain for robust, aesthetically pleasing shutters.



PREMIUM KN76  
LOUVERS K72 TINOS  
GOSSIP K76

product references

element variations



option with metal reinforcements

vertical sections scale 1/5



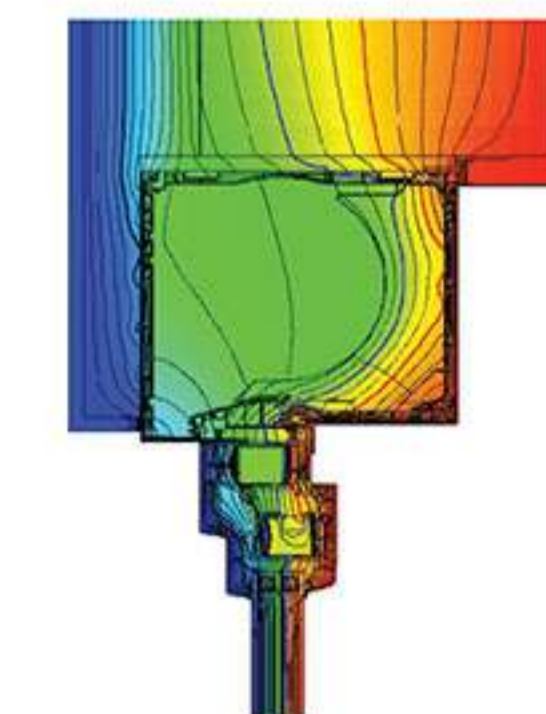
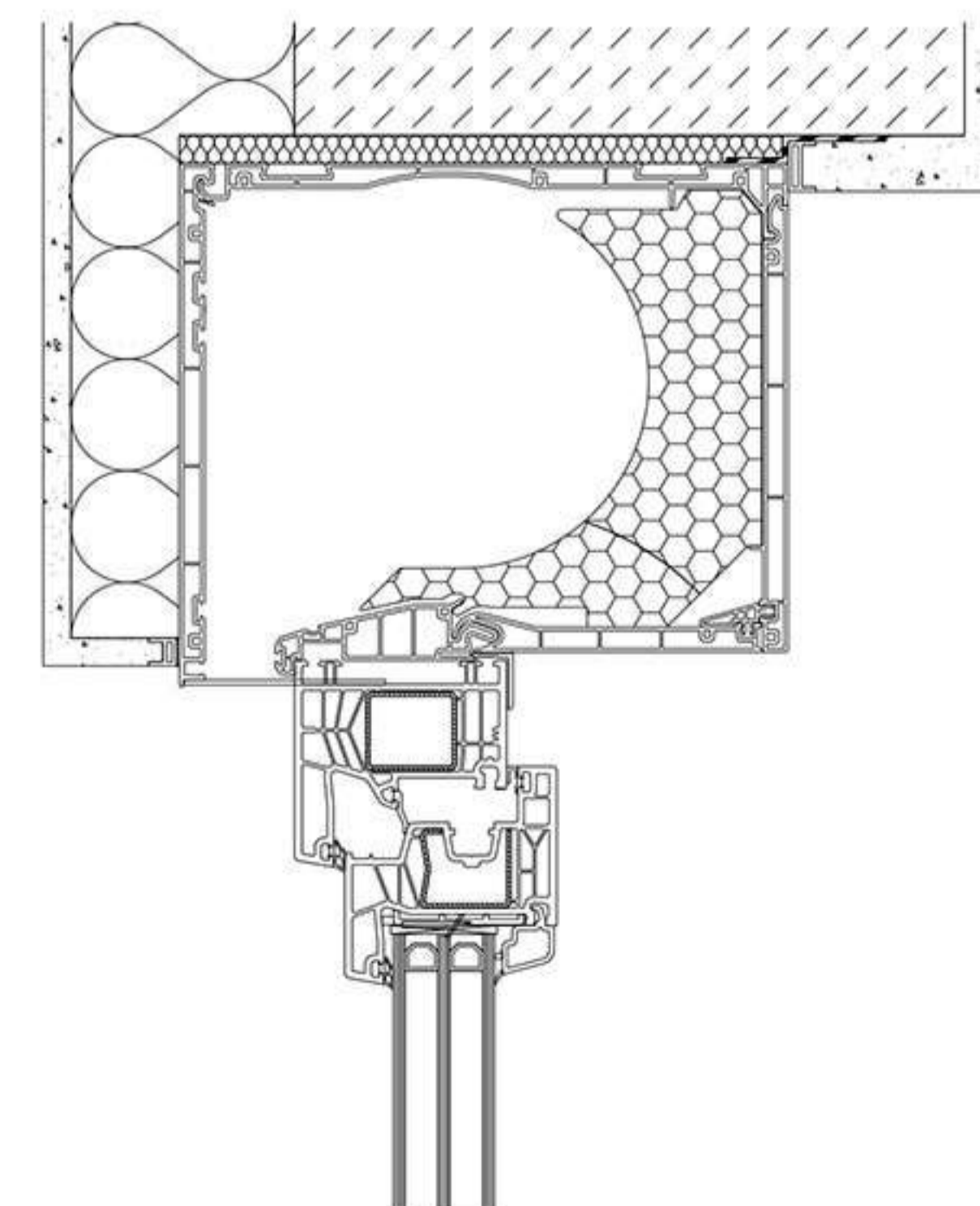


THE KEY FRAMES OF SECURITY

TECHNICAL INFO

ROLLING SHUTTERS K1, K2, K3 BOX

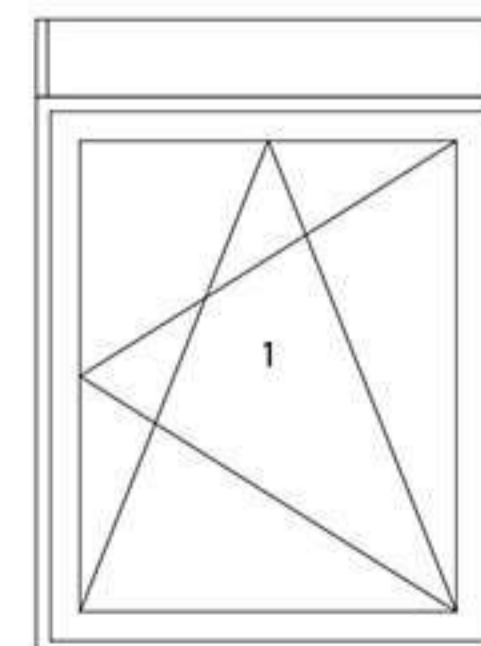
Upgrade your home's security and convenience with Kaptain's fortified monoblock rolling shutters. Factory-installed over our window frames, these all-in-one units are designed in K1, K2, and K3 BOX options, ready for immediate installation. Made with German materials and a variety of slat choices, they offer unparalleled shading and ventilation. Opt for manual gears or go motorized for even full smartphone app control and home automation. Enhanced with built-in insulation, these shutters provide superior energy and sound efficiency. Choose Kaptain for a unified, robust shading solution that arrives in a single pre-fabricated assembly and pair it with our efficient insect screens for a fully integrated, functional system.



temperature profiles  
-5 °C — 20 °C  
23 °F — 68 °F



PREMIUM KN76  
ROLLING SHUTTER K1 BOX

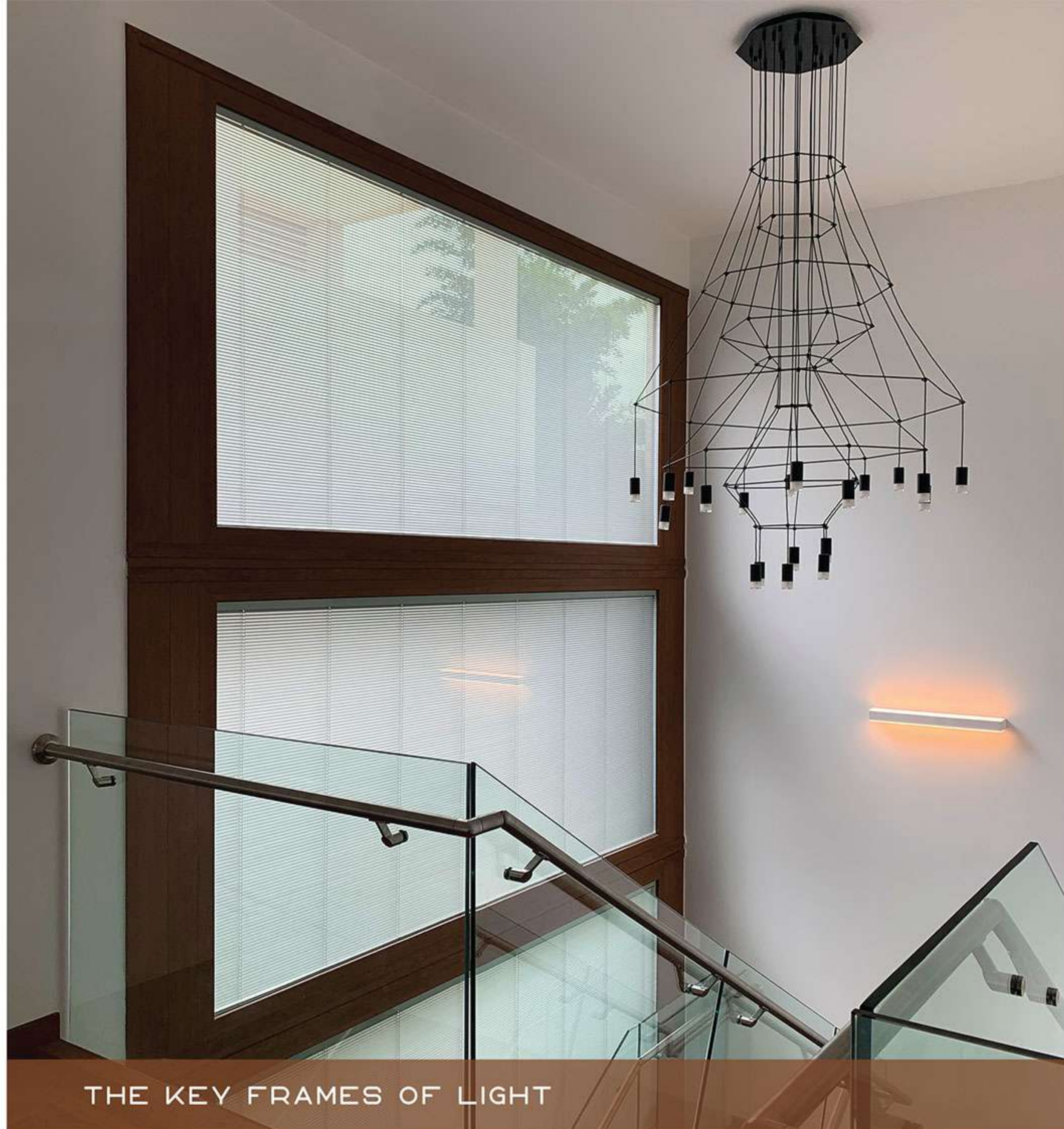


product references

element variations

vertical section scale 1/5





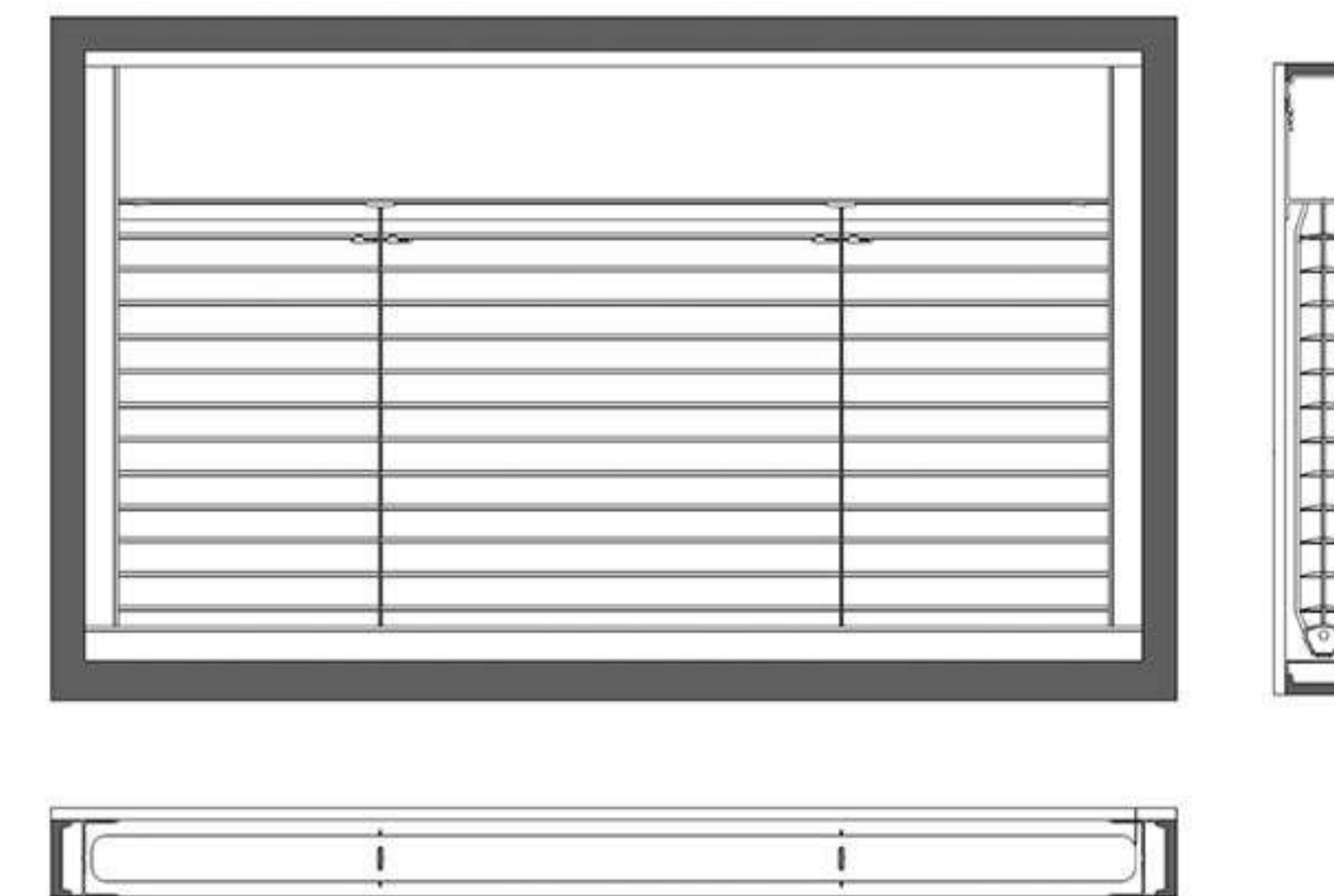
THE KEY FRAMES OF LIGHT



TECHNICAL INFO

GLAZING BLINDS BL22, BL28

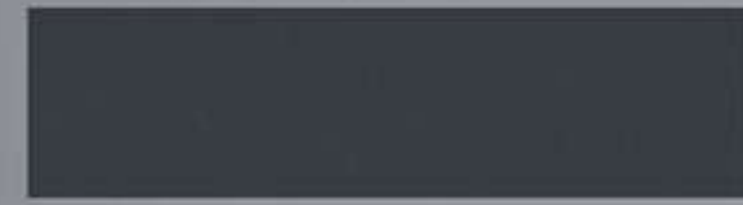
Introducing Privacy BL22 and BL28, the epitome of elegance and innovation for those who desire luxury. BL22 offers manual control, while the BL28 version provides motorized adjustments, including a convenient remote control option. These airtight sealed blinds, encased within double or triple glazing units, guarantee an enduring elegance by preventing dust and moisture. Designed to fit all Kaptain doors and windows, the Privacy BL22 and BL28 redefine sophistication, making a bold statement in any home. Elevate your living experience with these exquisite blinds, where style meets functionality.



PREMIUM KN76  
GLAZING BLINDS BL28

product  
references

technical drawings  
scale 1/5



ANTHRACITE RAL 7016



METBRUSH ANTHRACITE



BASALT GREY



GRIS CLAIRE RAL 7001



METBRUSH PLATINUM



CONCRETE GREY



QUARTZ GREY



METBRUSH QUARTZ



BEIGE RAL 9001



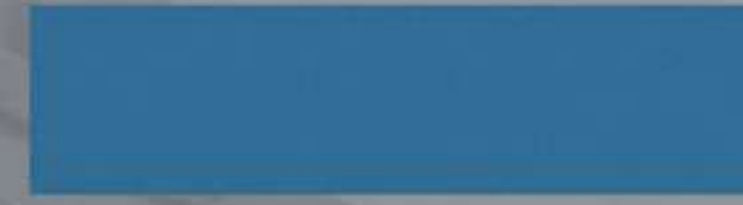
AGATE GREY



METBRUSH SILVER



BLANC RAL 9010



BRILLIANT BLUE



DARK GREEN



DARK RED



CHERRY BLOSSOM



WALNUT



DARK OAK



COLDEN OAK



SAPELE



IRISH OAK

## COLOR FINISHES

### RAL COLOR OPTIONS

With the new aluminum cladding technology, we give the option for over 300 extra different shades, offering extremely durable polyester coatings.

**Disclaimer:**

The information contained in this brochure is intended for general informational purposes only and is subject to change without notice. While we strive to keep the information up-to-date and accurate, we make no representations or warranties of any kind, express or implied, about the completeness, accuracy, reliability, suitability, or availability of the information, products, or related graphics contained in this brochure for any purpose. Any reliance you place on such information is strictly at your own risk. For any concerns or risks related to the use of our products, please contact us for a detailed explanation. We disclaim all liability and responsibility arising from any reliance placed on such materials by you or any other viewer of this brochure.

- 1. Initial Consultation & Product Orientation:** Understand your unique architectural vision and needs, and provide an extensive product catalog with sections and details to use for your project.
- 2. Project Coordination:** Align with all involved crews—from wall-building to electrical, alarm systems, and central management systems—for seamless integration.
- 3. Custom Shop Drawings:** Create detailed drawings and wall sections tailored to your project, showing insulation and element connection requirements.
- 4. On-Site Measurements:** Accurate and professional measurement services to ensure a perfect fit.
- 5. Custom Manufacturing and Logistics:** Based on project, we produce your order with meticulous attention to detail. Custom packaging and shipping arrangements are coordinated to ensure safe and timely delivery.
- 6. Installation Planning:** Schedule and coordinate the installation process, including alignment with related systems if applicable.
- 7. Professional Installation:** Implement the installation with our team of experts, offering a free replacement guarantee for any breakages during this process.
- 8. Monitoring and Oversight:** Continuous project tracking to ensure compliance with all specifications and quality requirements through to delivery.
- 9. Quality Assurance:** Final inspection to confirm that the installation meets or exceeds your expectations.
- 10. Owner Onboarding:** Deliver a comprehensive maintenance and service book with every order, providing guidelines on operation and maintenance on moving elements.

## YOUR 10-STEP SERVICE PLAN

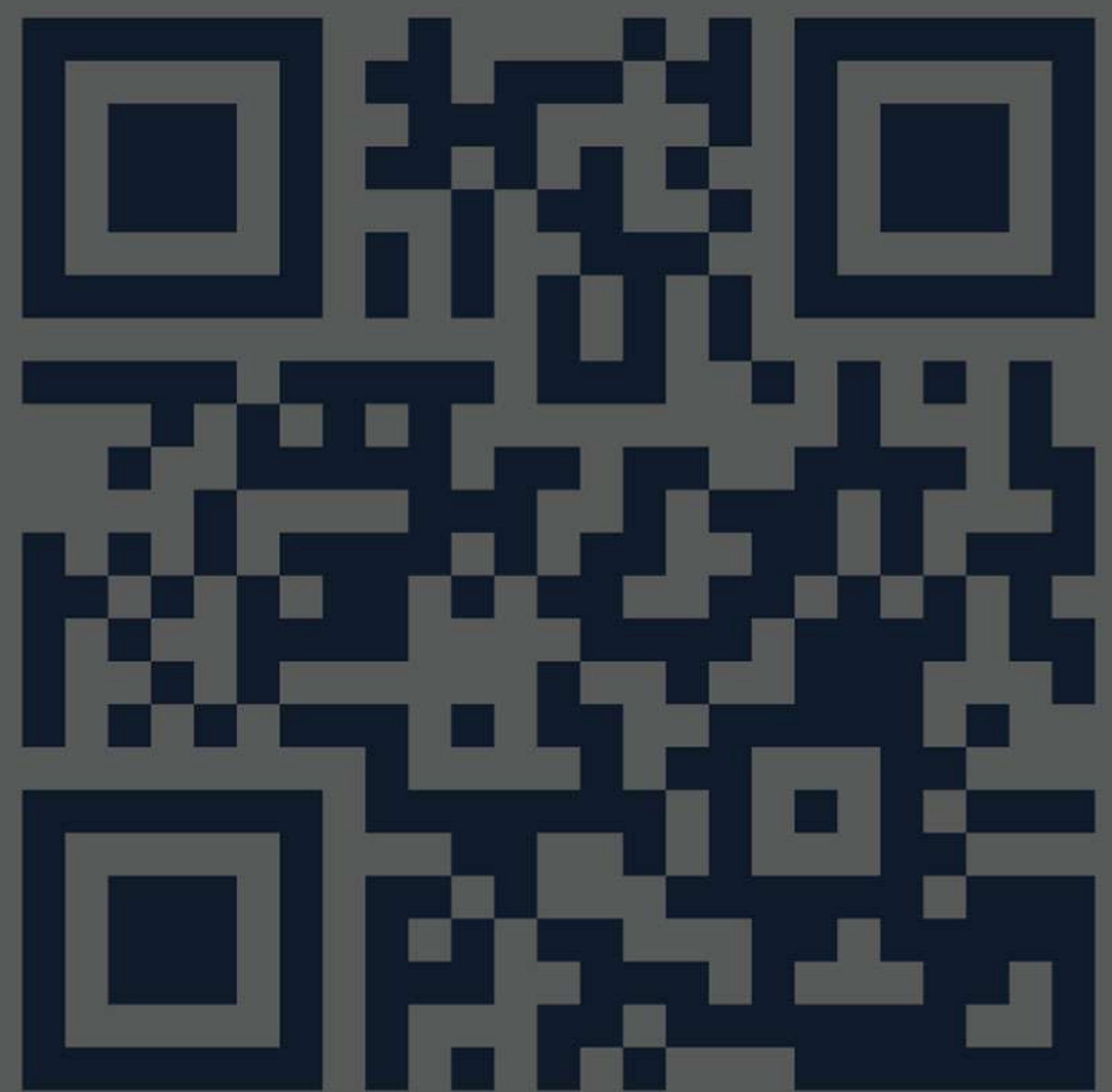
### KAPTAIN BUILD ASSIST SERVICE

Our Kaptain Build Assist Service Plan is an exclusive offering, specifically designed to cater to high-end, large-volume, or specialized projects. Through this premium service, we commit to delivering an unparalleled level of attention and quality at every stage of your project. This ensures not just ultimate product excellence, but also a seamless, efficient process from initial consultation to installation and final work delivery.

With the Kaptain Build Assist Service 10-Step Plan, you're guaranteed an experience that turns your architectural vision into reality while providing peace of mind at every step.

# KAPTAIN THE KEY FRAMES OF YOUR VISION

KEY FRAMES ARCHITECTURAL SERIES



**KAPTAIN**

INDUSTRY  
HEADQUARTERS

Vathi Avlidas

34100

Evia Greece

+30 22210 32400

[www.kaptain.gr](http://www.kaptain.gr)

[info@kaptain.gr](mailto:info@kaptain.gr)

